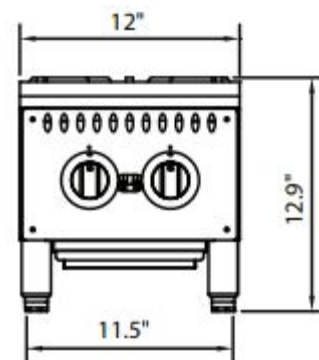
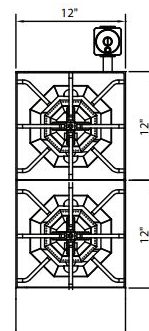
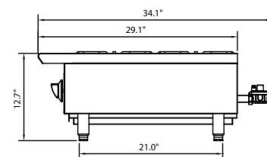


CP-HP Series Commercial Hotplates

CP-HP12-M



Temperature Range

BTUs

Dimensions - HxWxD mm / in

200°F - 500°F

50,000

330 / 13"

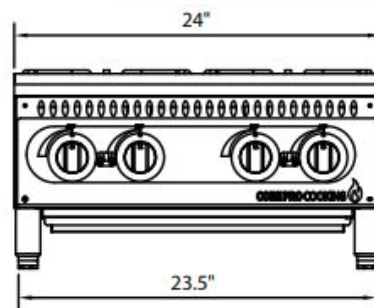
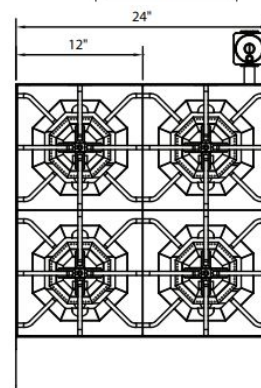
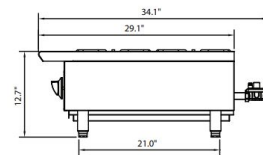
304 / 12"

740 / 29"

- Heavy-duty 12" x 12" cast iron grates
- Octagonal cast iron burners
- 25,000 BTU / burner
- Standing pilot light for each burner
- All stainless steel cabinet
- Double wall insulated sides
- Cast iron grates positioned even with s/s front ledge
- "Cool-to-the-touch" front s/s edge
- Aeration bowl in each grate to retain heat to each pot/pan
- Adjustable pilot lights
- Adjustable stainless steel legs, non-skid feet
- Each Hotplate shipped standard Natural gas, LP conversion kit included
- Full length seamless drip pan, easy to remove and clean
- Hotplate is fully serviceable from the front
- 1 year parts & labor warranty

CP-HP Series Commercial Hotplates

CP-HP24-M



Temperature Range

BTUs

Dimensions - HxWxD mm / in

200°F - 500°F

100,000

330 / 13"

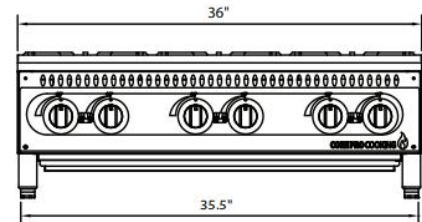
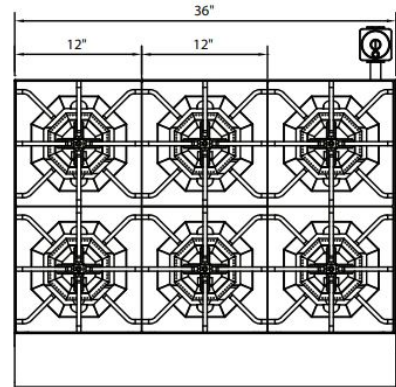
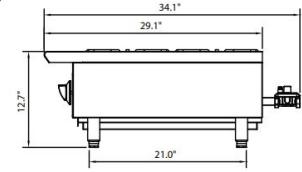
609 / 24"

740 / 29"

- Heavy-duty 12" x 12" cast iron grates
- Octagonal cast iron burners
- 25,000 BTU / burner
- Standing pilot light for each burner
- All stainless steel cabinet
- Double wall insulated sides
- Cast iron grates positioned even with s/s front ledge
- "Cool-to-the-touch" front s/s edge
- Aeration bowl in each grate to retain heat to each pot/pan
- Adjustable pilot lights
- Adjustable stainless steel legs, non-skid feet
- Each Hotplate shipped standard Natural gas, LP conversion kit included
- Full length seamless drip pan, easy to remove and clean
- Hotplate is fully serviceable from the front
- 1 year parts & labor warranty

CP-HP Series Commercial Hotplates

CP-HP36-M



Temperature Range

BTUs

Dimensions - HxWxD mm / in

200°F - 500°F

150,000

330 / 13"

914 / 36"

740 / 29"

- Heavy-duty 12" x 12" cast iron grates
- Octagonal cast iron burners
- 25,000 BTU / burner
- Standing pilot light for each burner
- All stainless steel cabinet
- Double wall insulated sides
- Cast iron grates positioned even with s/s front ledge
- "Cool-to-the-touch" front s/s edge
- Aeration bowl in each grate to retain heat to each pot/pan
- Adjustable pilot lights
- Adjustable stainless steel legs, non-skid feet
- Each Hotplate shipped standard Natural gas, LP conversion kit included
- Full length seamless drip pan, easy to remove and clean
- Hotplate is fully serviceable from the front
- 1 year parts & labor warranty