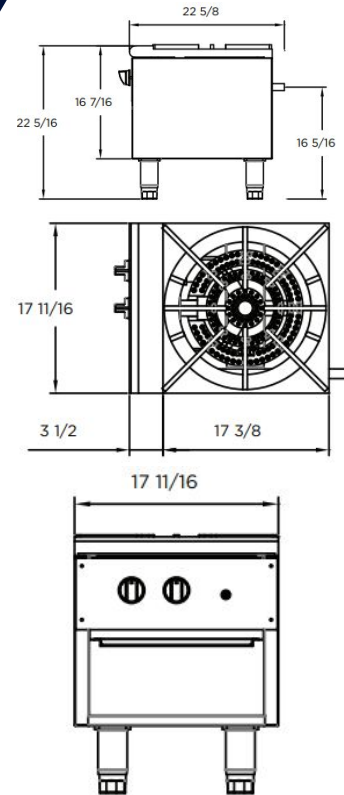


CP-SP Series

Commercial Stock Pots

CP-SP-1



Temperature Range

BTUs

Dimensions - HxWxD mm / in

200°F - 500°F

80,000

660 / 25 3/4"

456 / 18"

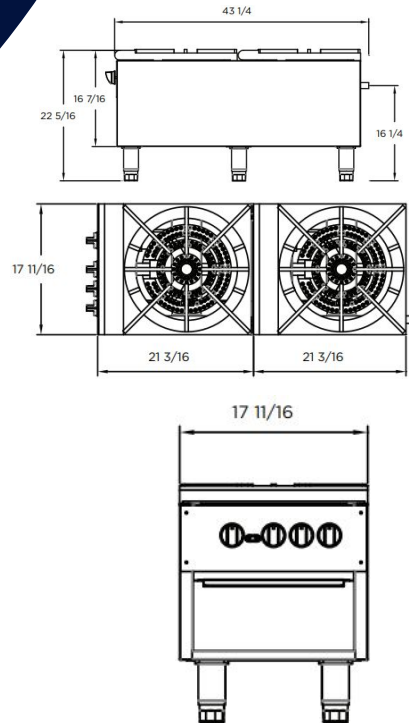
650 / 25 1/2"

- Stainless Steel front and sides
- Heavy Duty cast iron top grate(s)
- Three concentric ring burners per grate, 80,000 BTU total per section.
- Standing pilot ignition system
- Two infinite heat controls per section
- 3/4" rear gas connection with regulator
- Adjustable Stainless Steel legs
- Storage area in cabinet
- LP gas conversion kit included
- 1 year parts and labor warranty

CP-SP Series

Commercial Stock Pots

CP-SP-2



Temperature Range

BTUs

Dimensions - HxWxD mm / in

200°F - 500°F

160,000

660 / 25 3/4"

456 / 18"

1300 / 50 1/4"

- Stainless Steel front and sides
- Heavy Duty cast iron top grate(s)
- Three concentric ring burners per grate, 80,000 BTU total per section.
- Standing pilot ignition system
- Two infinite heat controls per section
- 3/4" rear gas connection with regulator
- Adjustable Stainless Steel legs
- Storage area in cabinet
- LP gas conversion kit included
- 1 year parts and labor warranty