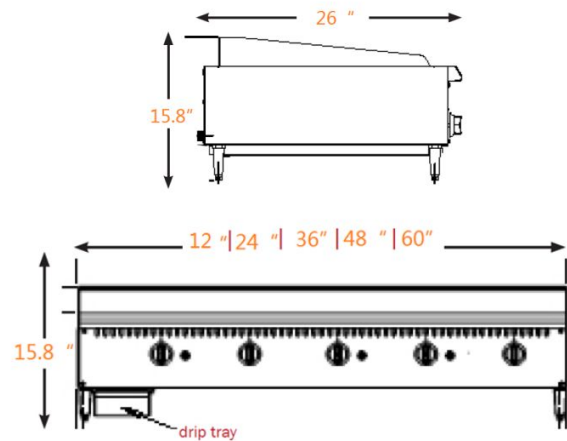


GG Series - Commercial Griddles

GG-12T

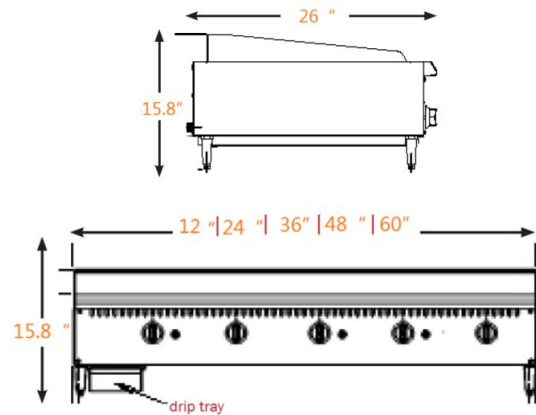


Temperature Range	BTUs (Natural Gas)	Dimensions - LxWxD mm / in
250°F - 550°F	30,000	412 / 16"
		440 / 17"
		761 / 30"

- Steel U-shape burner, each 30,000 BTU/hr for better heat distribution
- One control every 12"
- Standby pilot for easy start 3/4" thickness griddle plate
- Stainless steel adjustable heavy duty legs
- Zinc alloy knob with chrome coating
- Oil collector at the bottom
- Easy conversion from natural gas to Propane or vice versa
- Stainless steel in the front and sides Available in 24",36",48" and 60" width
- Manual control or Thermostatic Control
- Natural Gas / Propane Conversion Kit Included
- 3/4" NPT rear gas connection

GG Series - Commercial Griddles

GG-24T

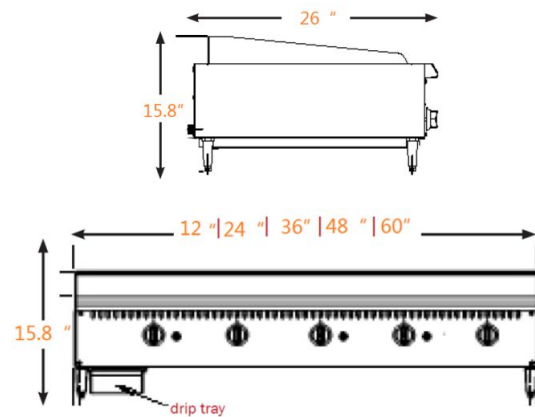


Temperature Range	BTUs (Natural Gas)	Dimensions - LxWxD mm / in
250°F - 550°F	60,000	412 / 16" 610 / 24" 761 / 30"

- Steel U-shape burner, each 30,000 BTU/hr for better heat distribution
- One control every 12"
- Standby pilot for easy start 3/4" thickness griddle plate
- Stainless steel adjustable heavy duty legs
- Zinc alloy knob with chrome coating
- Oil collector at the bottom
- Easy conversion from natural gas to Propane or vice versa
- Stainless steel in the front and sides Available in 24",36",48" and 60" width
- Manual control or Thermostatic Control
- Natural Gas / Propane Conversion Kit Included
- 3/4" NPT rear gas connection

GG Series - Commercial Griddles

GG-36T

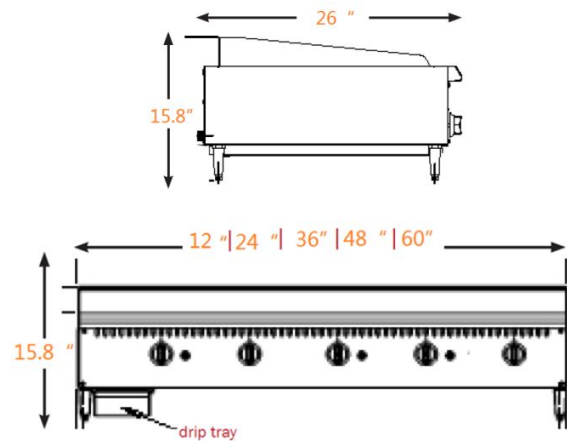


Temperature Range	BTUs (Natural Gas)	Dimensions - LxWxD mm / in
250°F - 550°F	90,000	412 / 16" 915 / 36" 761 / 30"

- Steel U-shape burner, each 30,000 BTU/hr for better heat distribution
- One control every 12"
- Standby pilot for easy start 3/4" thickness griddle plate
- Stainless steel adjustable heavy duty legs
- Zinc alloy knob with chrome coating
- Oil collector at the bottom
- Easy conversion from natural gas to Propane or vice versa
- Stainless steel in the front and sides Available in 24",36",48" and 60" width
- Manual control or Thermostatic Control
- Natural Gas / Propane Conversion Kit Included
- 3/4" NPT rear gas connection

GG Series - Commercial Griddles

GG-48T

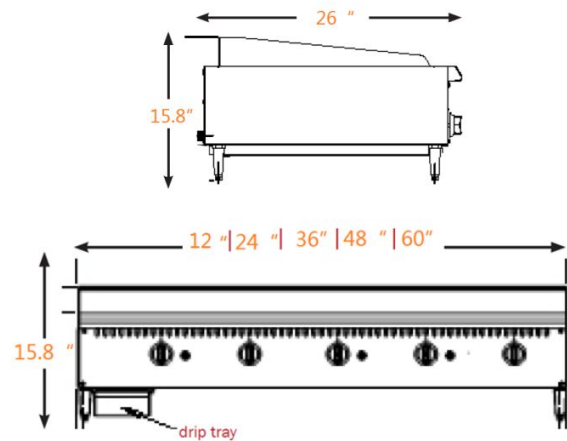


Temperature Range	BTUs (Natural Gas)	Dimensions - LxWxD mm / in
250°F - 550°F	120,000	412 / 16" 1220 / 48" 761 / 30"

- Steel U-shape burner, each 30,000 BTU/hr for better heat distribution
- One control every 12"
- Standby pilot for easy start $\frac{3}{4}$ " thickness griddle plate
- Stainless steel adjustable heavy duty legs
- Zinc alloy knob with chrome coating
- Oil collector at the bottom
- Easy conversion from natural gas to Propane or vice versa
- Stainless steel in the front and sides Available in 24",36",48" and 60" width
- Manual control or Thermostatic Control
- Natural Gas / Propane Conversion Kit Included
- $\frac{3}{4}$ " NPT rear gas connection

GG Series - Commercial Griddles

GG-60T



Temperature Range	BTUs (Natural Gas)	Dimensions - LxWxD mm / in
250°F - 550°F	60,000	412 / 16" 1525 / 60" 761 / 30"

- Steel U-shape burner, each 30,000 BTU/hr for better heat distribution
- One control every 12"
- Standby pilot for easy start 3/4" thickness griddle plate
- Stainless steel adjustable heavy duty legs
- Zinc alloy knob with chrome coating
- Oil collector at the bottom
- Easy conversion from natural gas to Propane or vice versa
- Stainless steel in the front and sides Available in 24",36",48" and 60" width
- Manual control or Thermostatic Control
- Natural Gas / Propane Conversion Kit Included
- 3/4" NPT rear gas connection