

# Triumph

## North American Product Guide

# ESG Stainless Steel Equipment Stands



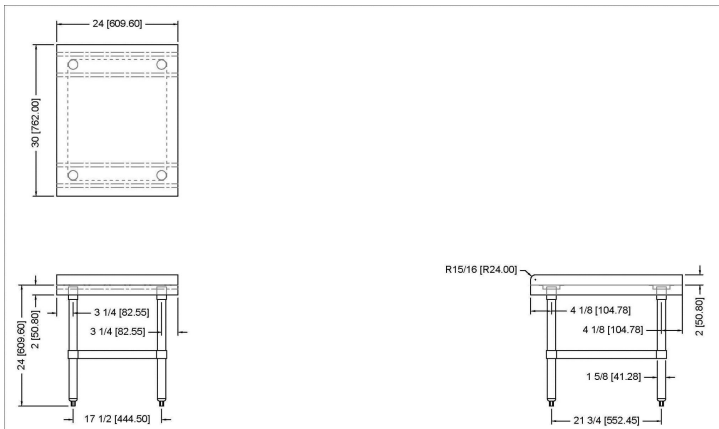
- 430S/S Equipment stand
- 18 gauge 430S/S top shelf with 2" turn up on left-rear-right sides
- 18 gauge 430S/S galvanized undershelf with aluminum die-cast clamp and 2 each hat channel
- Galvanized leg(4) and socket, plastic bullet foot

Model	Width	Length	Height	Weight (KGs)
ESG-3024-418	30"	24"	24"	13.40
ESG-3036-418	30"	36"	24"	17.00
ESG-3048-418	30"	48"	24"	18.80
ESG-3072-418	30"	72"	24"	39.20

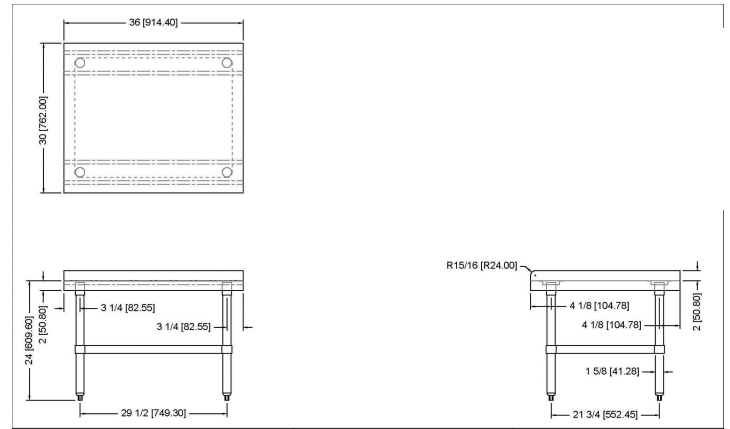
# ESG

## Stainless Steel Equipment Stands Cont.

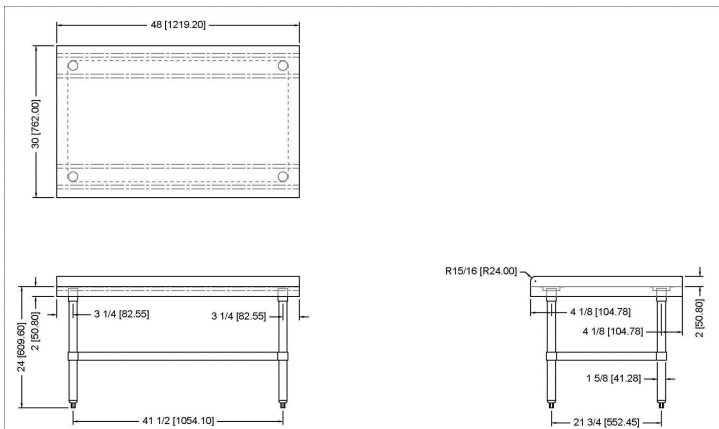
ESG-3024-418



ESG-3036-418



ESG-3048-418



ESG-3072-418

